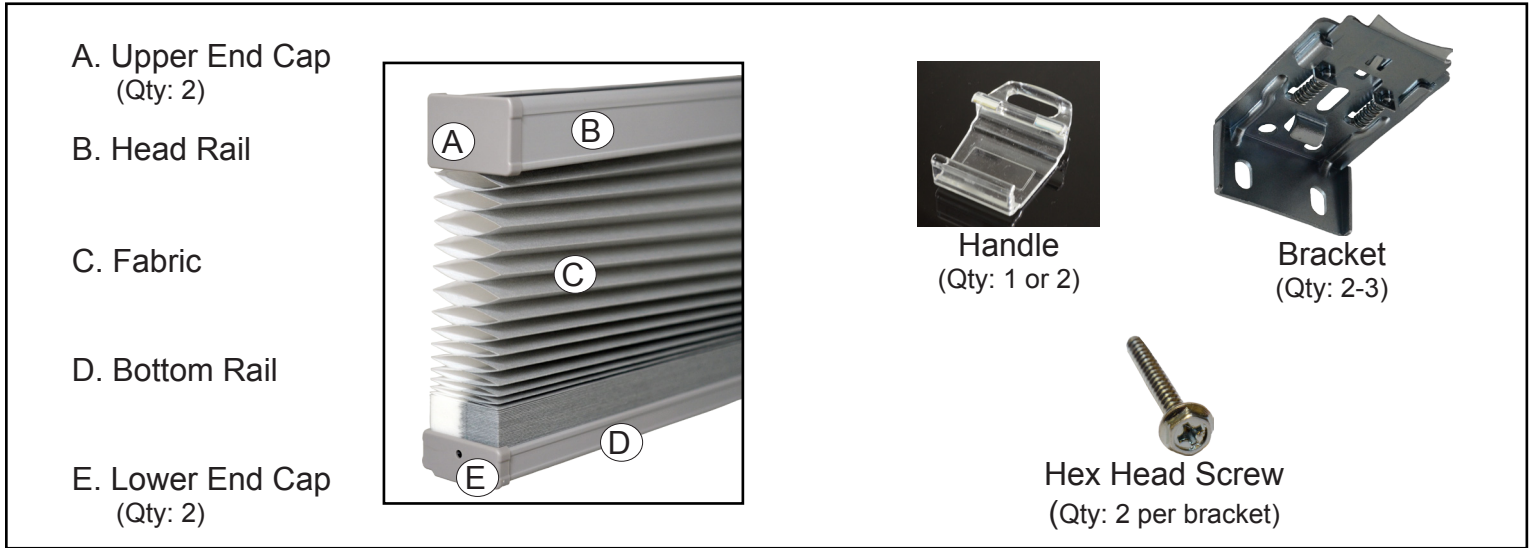


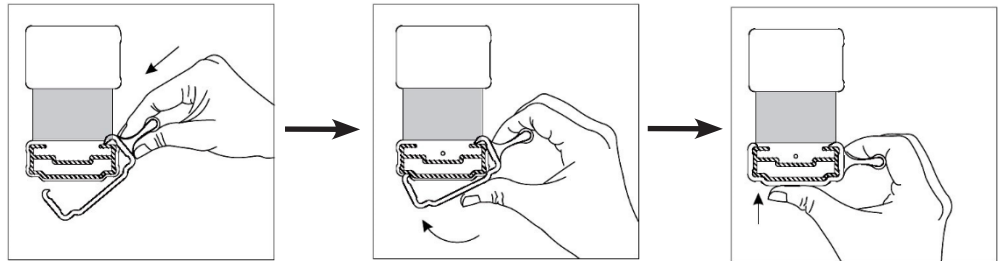
Cordless Cellular Shade Installation Instructions

STEP 1: Identify the parts of your shade (images not to scale)



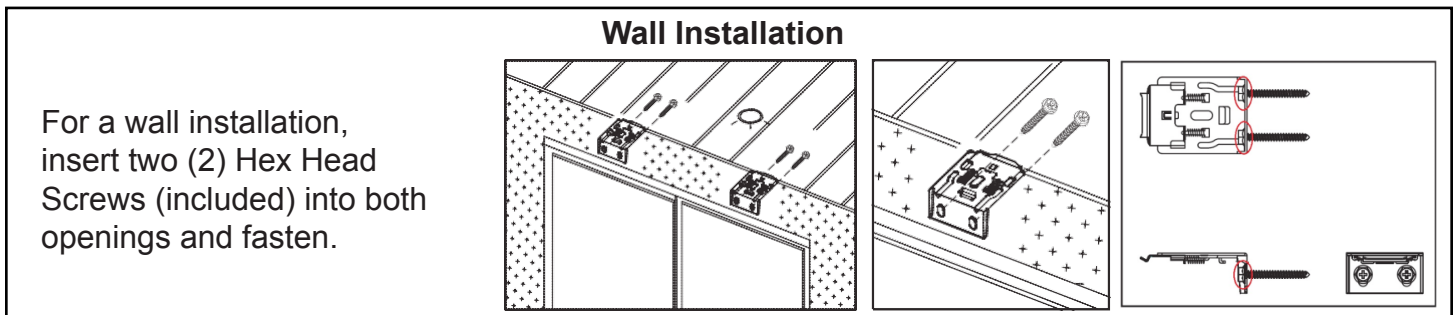
STEP 2: Install the Handle (optional step)

Hook the front of the Handle on the front of your Bottom Rail. Make sure no shade fabric is trapped inside the Handle. Snap the back of the Handle onto the back of your Bottom Rail.

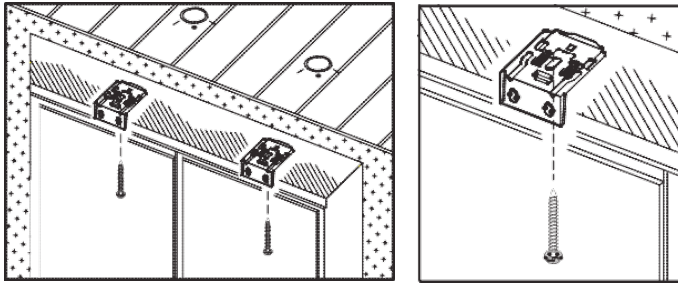


STEP 3: Install Brackets

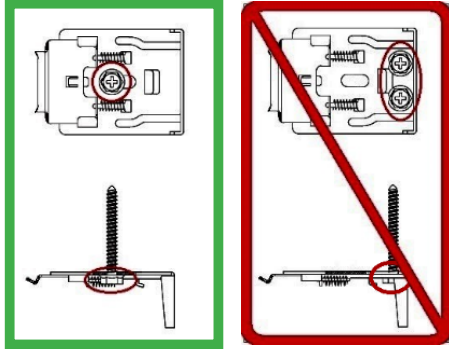
Tip: distribute the Brackets evenly, having some distance away from each side of the window.



Ceiling Installation



For a ceiling installation, insert one (1) Hex Head Screw (included) into the oval opening between the springs and fasten.

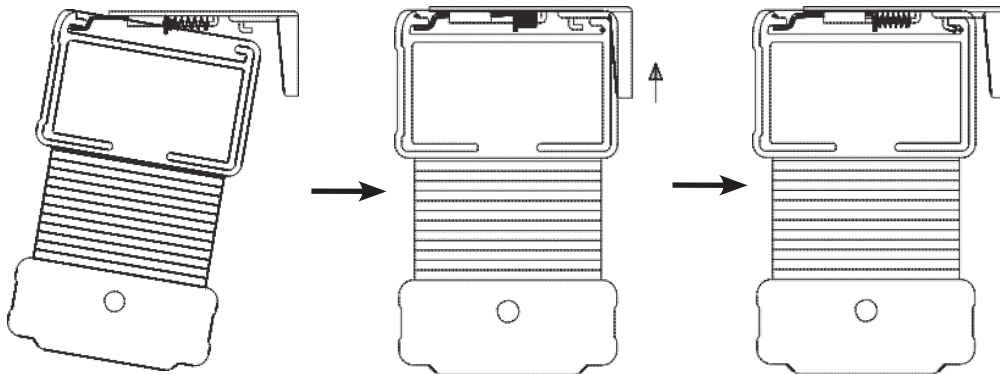


DO NOT use the included Hex-Head Screws for holes on the back of the Bracket for a ceiling mount. It will prevent your shade from clicking into place.

These holes can be used with 2 flat-head screws (not included).

STEP 4: Install Shade

Hook the front of the shade onto the front of the Bracket, then swing the back side of the shade up towards the back of the Bracket. The shade will click into place.



To remove your shade, push the shade towards the window, then rotate the back of the shade down, towards the ground.

Additional Information

To dust, use a feather duster or a can of compressed air. For stain removal, first test a very mild soap in discreet corner of the shade. Blot stains with a damp sponge and allow to air dry. 3 year limited warranty. Please visit www.ShadeInfo.com to register your shade.